

Langley Major

Specification

Material

The body and brim can be made from Aluminium, Copper or Brass Glazing is a double UV stable polycarbonate moulding.

Ingress Protection

IP 66 Optical Compartment , IP 44 Gear Compartment

Finishes

The Aluminium body and brim are treated with a chromate and then can be Polyester Powder Coated any BS or RAL colour. Copper and Brass versions can be Polished and Lacquered or given an antique finish. They can also be left raw to age naturally.

Optics

Can be fitted with the Candela Glass Asymmetric Refractor or the Candela EV and SGS range of street optics

Gear

Sodium and CDMT-T	250w
CDMT	250wx
Metal Halide	250w
Compact Fluorescent	70w
Cosmopolis	140w

LED Aray

24w - 84w

Fixings & Mountings

All fixings are Stainless Steel

This fitting can be Top mounted via Candela's Easy Fit or Stirrup mounted to suit our range of wall and post top brackets suitable for all size columns

Mounting is via the Candela Easy Fit

Recommended Height

6mtr - 12 mtr

Maintenance

No tooling required. Releasing the stainless steel over centre allows the bowl and brim assembly hinge down gaining access to the gear and lamp. Lamp change is via our ¼ turn lamp holder and gear withdraws for maintenance.

Photo Electrical Cell

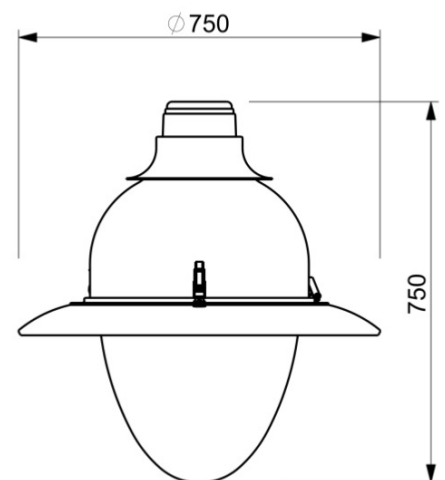
The fitting accepts all manufacturers Photo Electrical Cells as an option

Weight & Windage

Average weight 15 Kgs depending on gear. Windage 0.24mtr sq



Dimensions



Typical Applications

- ✓ Car Parks
- ✓ Amenity
- ✓ Street / Highway
- ✓ Exterior
- ✓ House Builders

