

# Langley Maxi

## Specification

### Material

The body and brim can be made from Aluminium, Copper or Brass Glazing is a double UV stable polycarbonate moulding.

### Ingress Protection

IP 66 Optical Compartment , IP 44 Gear Compartment

### Finishes

The Aluminium body and brim are treated with a chromate and then can be Polyester Powder Coated any BS or RAL colour. Copper and Brass versions can be Polished and Lacquered or given an antique finish. They can also be left raw to age naturally.

### Optics

Can be fitted with the Candela Glass Asymmetric Refractor or the Candela EV and SGS range of street optics

### Gear

Sodium and CDMT-T	150w Max
CDMT	250w Max
Metal Halide	150w Max
Compact Fluorescent	70w Max
Cosmopolis	45w-140w

### LED Aray

24w - 84w

### Fixings & Mountings

All fixings are Stainless Steel

This fitting can be Top mounted via Candela's Easy Fit or Stirrup mounted to suit our range of wall and post top brackets suitable for all size columns

Mounting is via the Candela Easy Fit

### Recommended Height

6mtr - 12 mtr

### Maintenance

No tooling required. Releasing the stainless steel over centre allows the bowl and brim assembly hinge down gaining access to the gear and lamp. Lamp change is via our ¼ turn lamp holder and gear withdraws for maintenance.

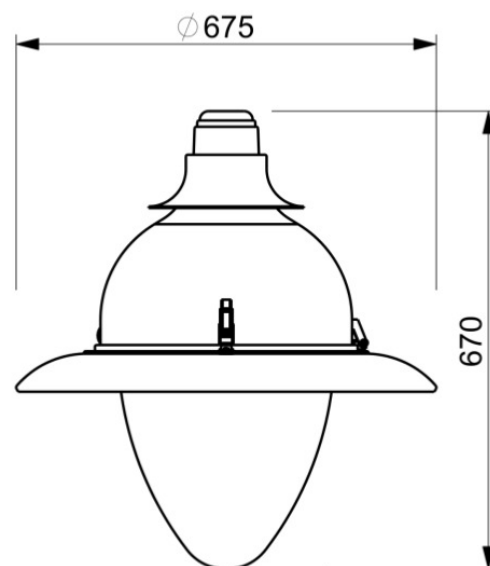
### Photo Electrical Cell

The fitting accepts all manufacturers Photo Electrical Cells as an option

### Weight & Windage



## Dimensions



## Typical Applications

- ✓ Car Parks
- ✓ Amenity
- ✓ Street / Highway
- ✓ Exterior
- ✓ House Builders

319, Long Acre, Nechells, Birmingham, UK. B7 5JT

Tel 0121 678 6700 Fax 0121 678 6701

Email: sales@candela.co.uk Web: www.candela.co.uk

Candela Light is a trading name of Candela Traditional lighting Limited Design Right subsisting in the design of articles shown herein are the property of Candela Traditional Lighting Limited



candela

L I G H T